

Microwave Combination Oven

E30MC75JPS professional series



Wave-Touch™ Control Panel Technology

Envision a control panel that allows you to plan how and when your meal will be cooked. One simple touch activates the control panel, providing you with access to all operating functions. After you've programmed the settings, the inactive lights fade away.



Custom-Set™ Auto Cook Functions

The microwave oven features 12 Auto Cook options, 3 Auto Reheat options and 6 Auto Defrost options for amazing flexibility.



Smooth-Glide™ Oven Racks

Imagine oven racks that glide with unparalleled ease and extend fully for effortless access to your meal. Designed with a centered easy-grip handle and a patented ball bearing rack system for smooth-gliding performance with the touch of a finger.



CustomConvect³™ Convection Technology

Premium performance offers more cooking choices. By using a third cooking element paired with a variable speed fan and temperature setting options, heat is distributed evenly throughout the oven.

30" BUILT-IN MICROWAVE COMBINATION OVEN

MICROWAVE FEATURES

Oven Cavity	1.5 Cu. Ft.
Watts	900
Stainless Steel Interior	Yes
Interior Krypton Light	Yes
Porcelain Enamel Turntable	Yes

MICROWAVE CONTROL OPTIONS

Wave-Touch™ Electronic Controls	Yes
VFD Front Display with Blue Indicators	Yes
Electronic Clock & Timer	Yes
Humidity Sensor	Yes
Power Levels	11
Touch Pad Controls	37
Auto Start	Yes
Auto Defrost Options	6
Auto Cook Options –	
Pizza Slice (1), Snacks (3), Kid's Meals (3) Softening/Melt (4), Beverage (1)	12
Convection Cook Categories –	
Auto Broil (4), Auto Roast (4), Auto Bake (4)	12
Auto Reheat Categories –	
Breads/Muffins (2), Pasta (1)	3
Sensor One Touch Categories –	
Cook (5), Reheat (1), Popcorn (2), Baked Potato (1), Frozen Vegetables (1), Fresh Vegetables (2)	12
Stage Cooking Options	4
Add 30 Seconds	Yes
Electronic Lockout	Yes
Adjustable Sound Level for Timers/Reminders	Yes
More/Less Function	Yes
Power Failure Indicator	Yes

OVEN FEATURES

Oven Cavity	4.2 Cu. Ft.
Cobalt Blue Interior	Yes
Removable Cool-Touch™ Door with Extra-Large Window	Yes
CustomConvect ³ ™ Convection System	Yes
Hidden Bake Element	Yes
Convection Conversion	Yes
Keep Warm	Yes
Light Clean/Heavy Clean	Yes
Self-Cleaning with Auto-Safety Latch™	Yes
Self-Cleaning Cycle with Rack Removal Alert	Yes
Dual Radiant™ Baking System	Yes
Eight-Pass Broil & Radiant Bake Element	Yes
Smooth-Glide™ Racks/Standard Racks	3/1
Dual-Halogen Theatre Lighting	Yes
Sabbath Mode (Star-K® Certified)	Yes

OVEN CONTROLS

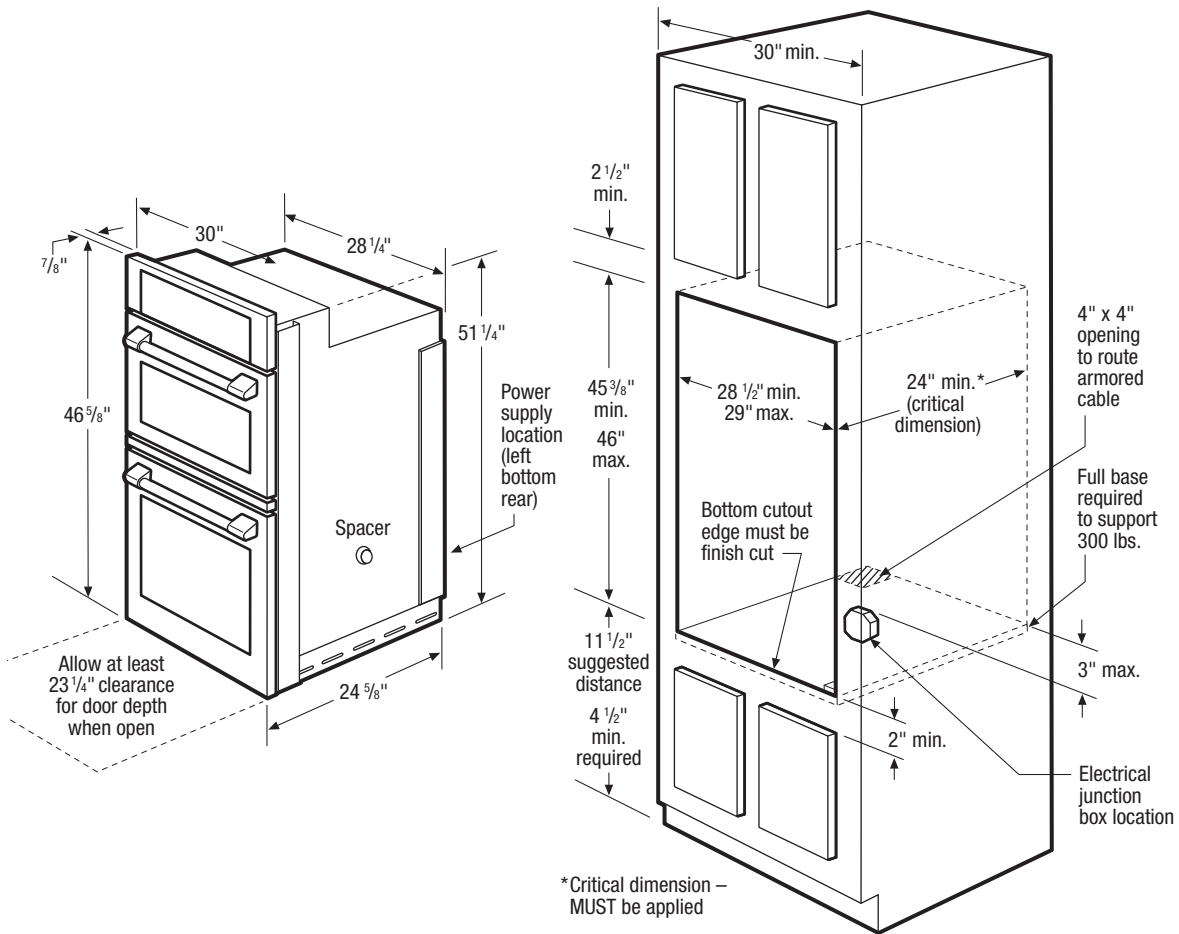
Wave-Touch™ Electronic Controls	Yes
Electronic Clock/Timer/Temperature Display	Yes
Automatic Oven – Delay, Cook & Off	Yes
Electronic Lockout	Yes
Automatic Oven Shutoff – 12 Hour	Yes
Auto Set™ Control – Convection	Yes
Integrated Halogen Oven Light – Touch Pad	Yes

SPECIFICATIONS

Microwave Oven Interior HxWxD	9-5/8" x 16-1/8" x 16-1/8"
Oven Interior HxWxD	16-1/2" x 24-1/8" x 18-1/32"
Power Supply Connection Location	Left Bottom Rear
Connected Load (kW Rating) @ 240/208 Volts	7.1/6.1
Amps @ 240/208 Volts	30/30
Minimum Circuit Required (Amps)	40
Shipping Weight (Approx.)	250

NOTE: Always consult local and national electric codes. Refer to Product Installation Guide for detailed installation instructions on the web at electroluxicon.com.

Specifications subject to change.



30" Built-In Microwave Combination Oven Specifications

- Product Weight – 250 Lbs.
- Single phase 3- or 4-wire cable, 120/240 or 120/208 Volt, 60 Hertz AC only electrical supply with ground required on separate circuit fused on both sides of line.
- Connected Load (kW Rating) @ 240/208 Volts = 7.1/6.1kW
- Amps @ 240/208 Volts = 30/30 Amps
- Recommended Circuit Breaker – 40 Amps
- Always consult local and national electric codes.
- Minimum 23-1/4" clearance for oven door depth when open.
- Suggested distance from floor is 11-1/2". Minimum required distance is 4-1/2".

- Minimum 24" deep cutout dimension is critical for proper installation, to ensure that oven's faceplate will fit flush against cabinet front.
- Full oven base of solid plywood or similar material required, capable of supporting 300 Lbs.
- Base must be level and cabinet front must be square.
- Microwave Combination Oven is NOT approved to be used in stackable or side-by-side installation.

Note: For planning purposes only. Refer to Product Installation Guide on the web at electroluxicon.com for detailed instructions.

Electrolux Major Appliances, N.A.

USA • 250 Bobby Jones Expressway • Augusta, GA 30907 • 1-877-4electrolux (1-877-435-3287) • electroluxicon.com
 CANADA • 5855 Terry Fox Way • Mississauga, ON L5V 3E4 • 1-800-265-8352 • electroluxicon.ca